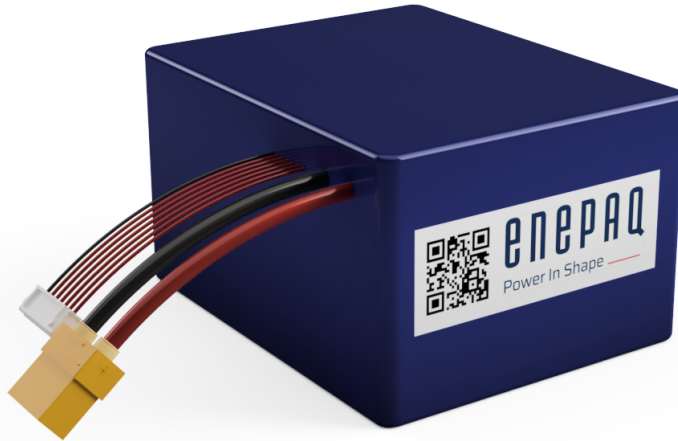


# ENEPAQ 6s 12Ah li-ion pack



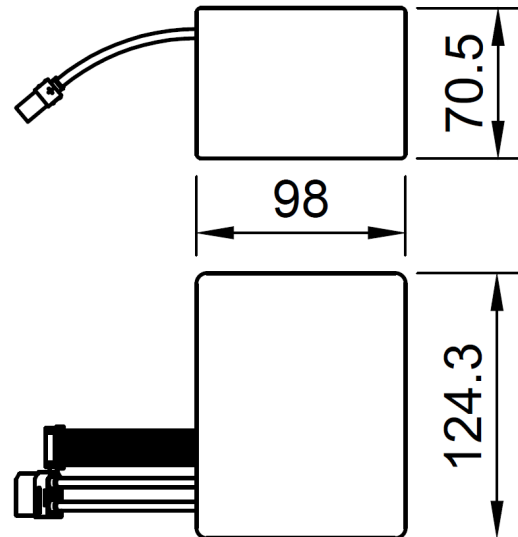
## APPLICATIONS

- Unmanned Aerial vehicles (UAV) - Drones
- Unmanned ground vehicles (UGV)
- Robotics
- Backup energy (storage)
- RC vehicle

## TECHNICAL DATA

- Dimensions - 98mm x 124.3mm x 70.5mm
- Weight - 1.45kg
- Nominal voltage - 21.6V (min 15V, max 25.2V)
- Capacity - 12Ah
- Energy capacity - 259.2Wh
- Energy density - 178.8Wh/kg
- Internal impedance - 24m $\Omega$
- Maximum charge current - 20A
- Continuous discharge current - 120A\*
- XHP and XT90 connectors

\* - With 80 deg temperature cutoff.



## TERMS OF USAGE

### 1. Storage conditions

Battery should be stored within a range of temperatures specified as below: Store the battery at 0 ~ 23°C, low humidity (below 65%), no dust and no corrosive gas atmosphere. Otherwise, it may cause loss of performance characteristics, leakage and/or rust.

### 2. Long-term storage

2.1 If long-term (but not longer than Warranty Period) storage is necessary, battery shall be stored at shipping voltage, because storage with higher voltage may cause more loss of performance characteristics.

2.2 All devices or components connected to battery clamps must be disconnected, preventing current leak from battery.

2.3 Enepaq shall not be liable for any defects of battery after Warranty Period even if battery is stored in accordance with Sections above.

### 3. Warranty

Enepaq warrants that battery will be free from defects in manufacturing for a period of 12 months from the date of shipping (“Warranty Period”). In case of defects, Enepaq will only replace the affected modules. However, Enepaq shall not be liable for if:

3.1 The buyer undertakes to check the received goods immediately after receiving the goods. If the Buyer receives the order and notices any quality issues or discrepancies, he must notify the Seller in writing within 7 days from receiving the order. In case of concealed defects, the Buyer must notify the Seller within the warranty term, but always within 7 days from noticing the defect.

3.2 Battery was improperly installed, repaired, altered or otherwise modified (other than by Enepaq)

3.3 Battery was subjected to misuse, abuse, negligence or accident

3.4 Battery was used, handled, stored, sold or distributed in a manner contrary or inconsistent to the handling use instructions provided in this product specification sheet.

### 4. Application

4.1 The products usage and limitations is described in Terms and conditions (Terms and Conditions, 9. Warranty and Limitation of Liability & 15. Products’ Insurance) and Enepaq does not undertake to indemnify the Buyer of any loss which are caused by misguided use of Products. The Buyer takes their own risk for any damages resulting from such use or misuse.

### 5. Usage

5.1 The Buyer is exclusively responsible for the installation, storage, operation and maintenance of the Goods. The Buyer must ensure that the personnel installing and operating the Goods has appropriate qualifications entitling the personnel to provide handling services with respect to the Goods (including toxic, flammable). The Buyer carries out the installation, storage, operation, maintenance of the Goods, personnel training at its own risk and expense.

5.2 The Seller is not liable for defects in the Goods or inconsistencies of the Goods with the Order if they occurred after the transfer of the Goods to the Buyer due to failure of the Buyer and/or the Buyer’s staff to ensure proper installation, storage, operation within specified limits, maintenance of the Goods or due to the fault of third parties or force majeure or other similar circumstances.

***Additional notes:*** This product is made to order and is non- cancelable and non-returnable (NCNR) and once the order is placed with the factory no changes may be made.

Table 1: Revision history

<b>Revision</b>	<b>Date</b>	<b>Description</b>
A	2024-07-26	Initial Release.